

CATALOG

Shaft measuring machine

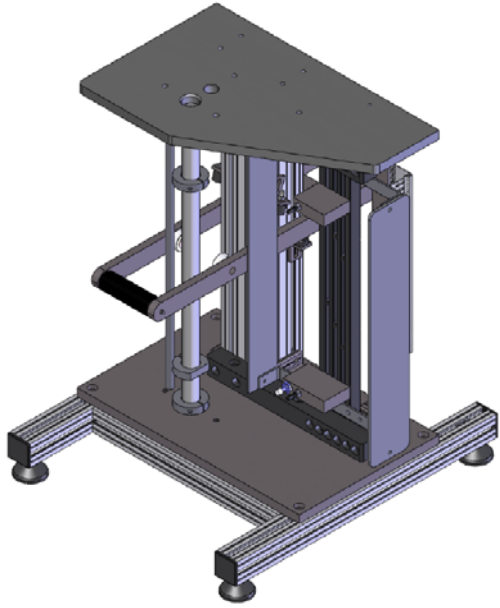
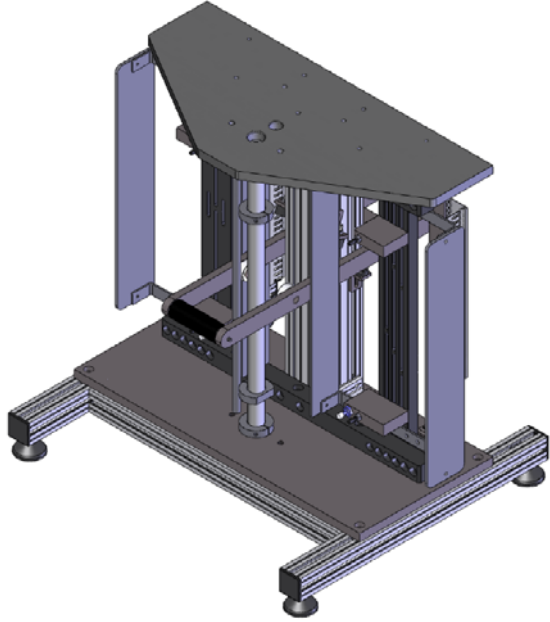
Contents

Contents	2
System for shaft measuring machines	3
Base structure	3
Options	4
Center	5
Probes.....	6
Datasheet shaft measuring machine, two sided	8
Datasheet shaft measuring machine one sided	9
Datasheet Monobloc HPM3.....	10

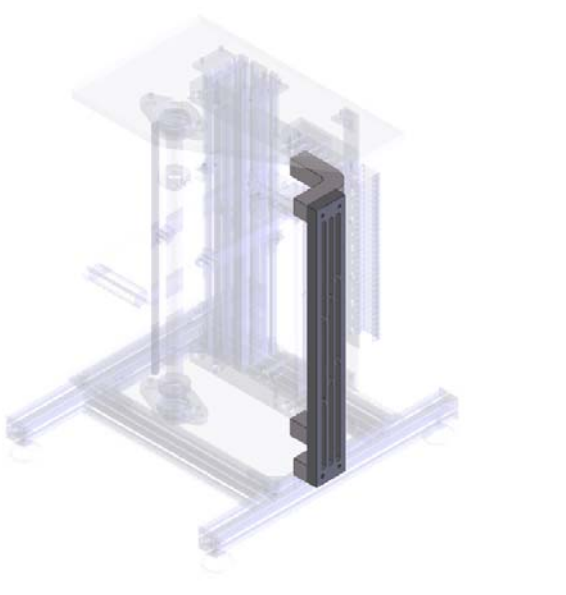


System for shaft measuring machines

Base structure

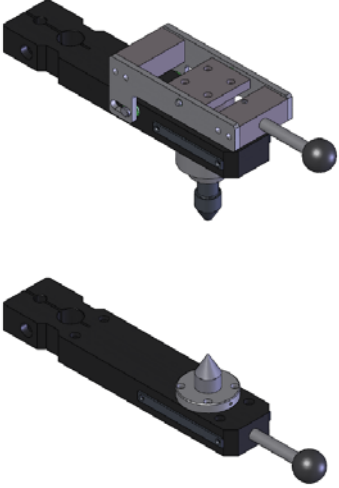


Basis height of measuring machine (L)	mm	500	600	700	800	900	1000
Maximum work piece length (Lw)	mm	150	250	350	450	550	650

Base structure one sided	
	<p>L = 500</p> <p>L = 600</p> <p>L = 700</p> <p>L = 800</p> <p>L = 900</p> <p>L = 1000</p>
Base structure two sided	
	<p>L = 500</p> <p>L = 600</p> <p>L = 700</p> <p>L = 800</p> <p>L = 900</p> <p>L = 1000</p>

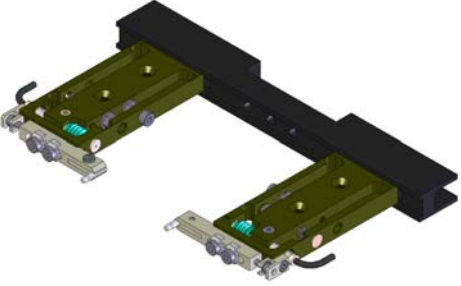
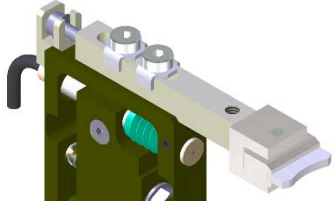

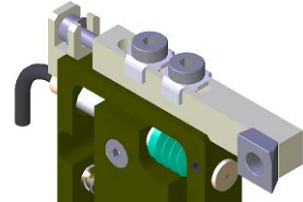
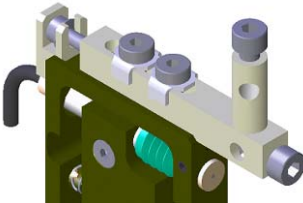
Options


<p>Added side base for length measurement</p>	
	<p>L = 500 L = 600 L = 700 L = 800 L = 900 L = 1000</p>
<p>Touch concentric / run out measurement</p>	
	
<p>Temperature measurement</p>	
	<p>Pneumatic With Temperature probe Omega 88007 and Promess Interface box 23279</p>

Center

Solid center	
	Without axial compensation
Running center	
	Without axial compensation With axial compensation
Motorized center	
	Without axial compensation With axial compensation

Probes

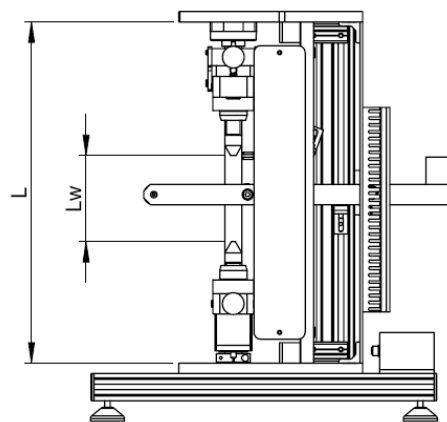
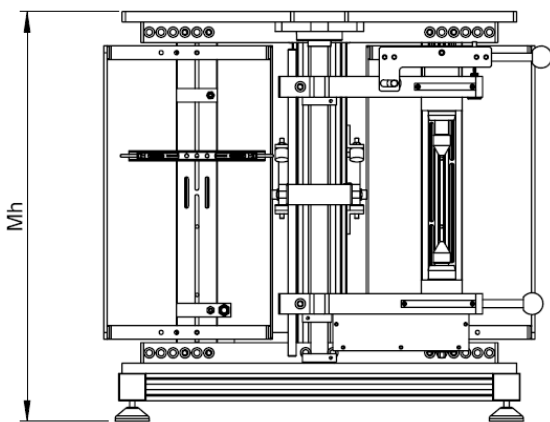
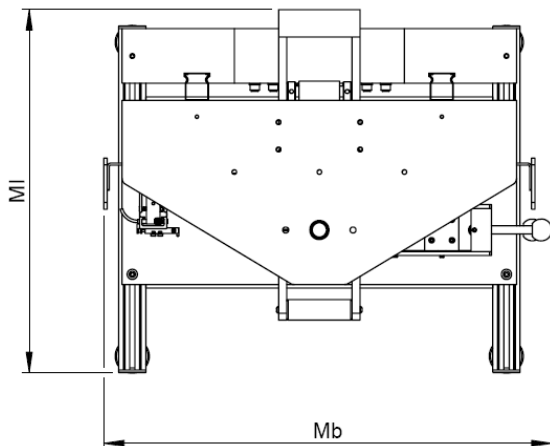
Carrier with 2 Monoblocs for diameter	With cylindrical points
	<p>for turned diameter</p> <p>for ground diameter</p>
Monobloc for spline shaft	With hard metal point
	For spline shaft
Monobloc for length measurement	
	with ball point
Special probe point	
	<p>For turned diameter</p> <p>For ground diameter</p>
Revolving probe point holder	
	

Carrier for assembly of Monoblocs	
	

Datasheet shaft measuring machine, two sided

Types		500	600	700	800	900	1000
Weight							
Maximal Work piece weight	Kg	10	10	10	10	10	10
Machine weight (ex. probes)	Kg	70	75	80	85	90	95
Mechanical							
Base height (L)	mm	500	600	700	800	900	1000
Machine height (Mh)	mm	600	700	800	900	1000	1100
Machine width (Mb)	mm	650	650	650	650	650	650
Machine length (MI)	mm	500	500	500	500	500	500
Maximal work piece length (Lw)	mm	150	250	350	450	550	650
Maximal work piece diameter (Dw)	mm	90	90	90	90	90	90
Electrical*							
voltage	V	24	24	24	24	24	24
Motor							
- Output	W	25,4	25,4	25,4	25,4	25,4	25,4
- Torque constant	mNm/A	41	41	41	41	41	41

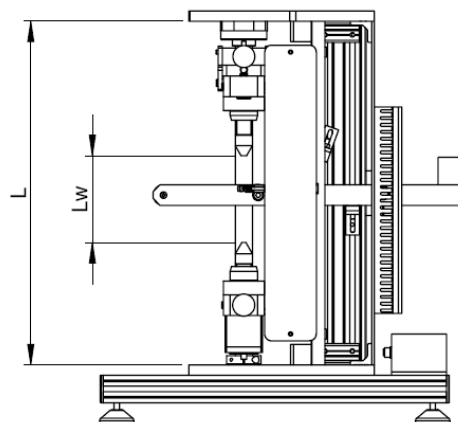
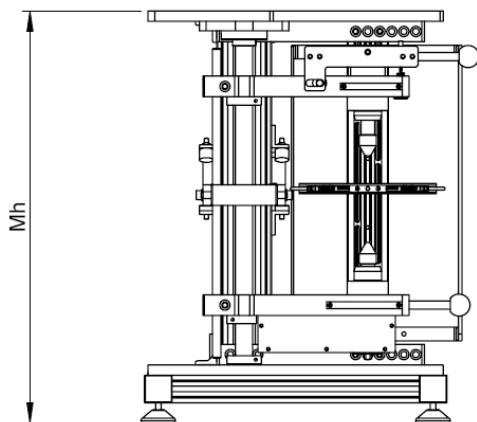
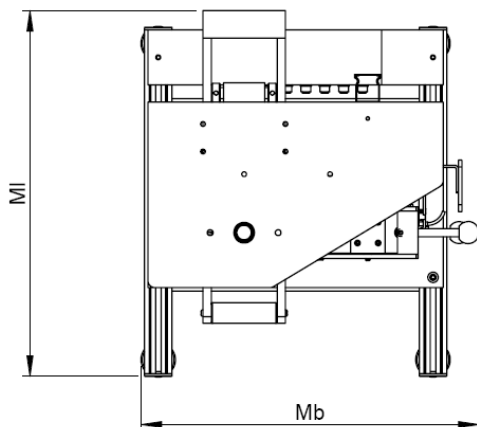
* cannot be used for all applications



Datasheet shaft measuring machine one sided

Types		500	600	700	800	900	1000
Weight							
Maximal Work piece weight	Kg	10	10	10	10	10	10
Machine weight (ex. probes)	Kg	70	75	80	85	90	90
Mechanical							
Base height (L)	mm	500	600	700	800	900	1000
Machine height (Mh)	mm	600	700	800	900	1000	1100
Machine width (Mb)	mm	500	500	500	500	500	500
Machine length (MI)	mm	500	500	500	500	500	500
Maximal work piece length (Lw)	mm	150	250	350	450	550	650
Maximal work piece diameter (Dw)	mm	90	90	90	90	90	90
Electrical*							
voltage	V	24	24	24	24	24	24
Motor							
- Output	W	25,4	25,4	25,4	25,4	25,4	25,4
- Torque constant	mNm/A	41	41	41	41	41	41

* not necessary for all applications



Datasheet Monobloc HPM3

Mechanical	Half bridge
Measurement range:	± 1 mm
System accuracy:	$< 0,2 \mu\text{m}$
Tip force:	Adjustable 0,5 - 3N
Temperature range:	-10°C tot $+60^{\circ}\text{C}$
Temperature coefficient:	$< 0.01\%$ / $^{\circ}\text{C}$
Electric	
Linearity :	$< 1.5\%$ of measurement range
Connector :	Lumberg screw lock 5-pin DIN
Sensitivity:	73.5 mV/V/mm $\pm 0.5\%$
Cable length:	2 Meter
IP Rating:	IP62

(Full bridge: Best. Nr.: HPM3F)

