

Monobloc type HPM3



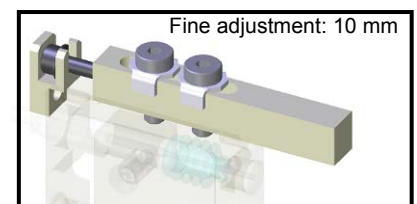
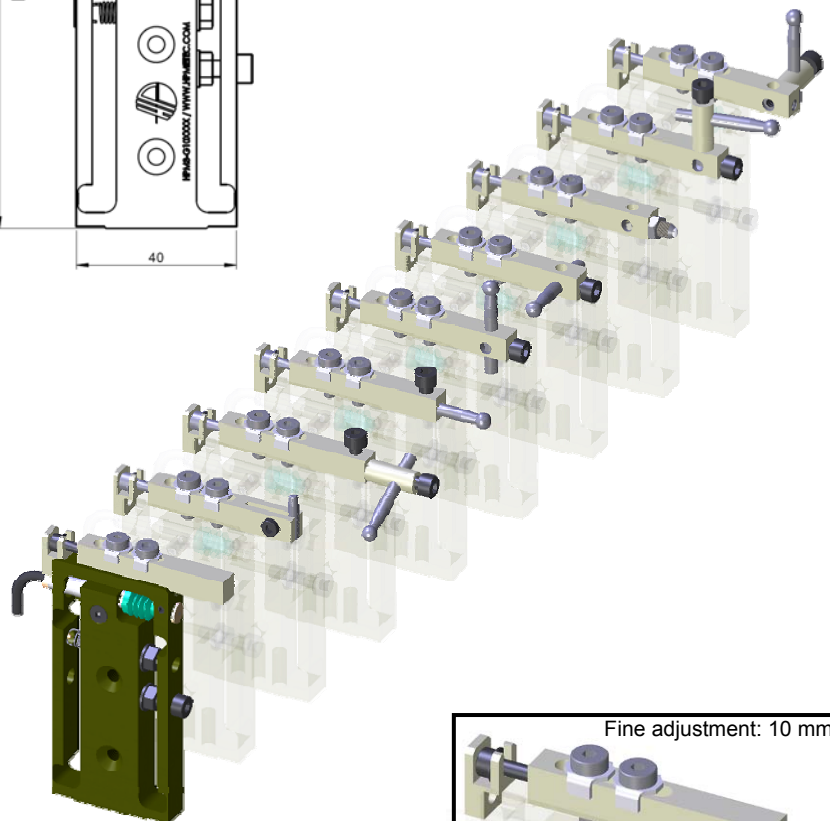
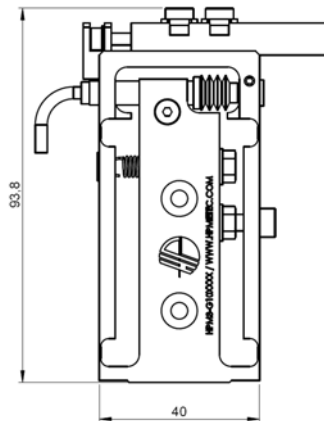
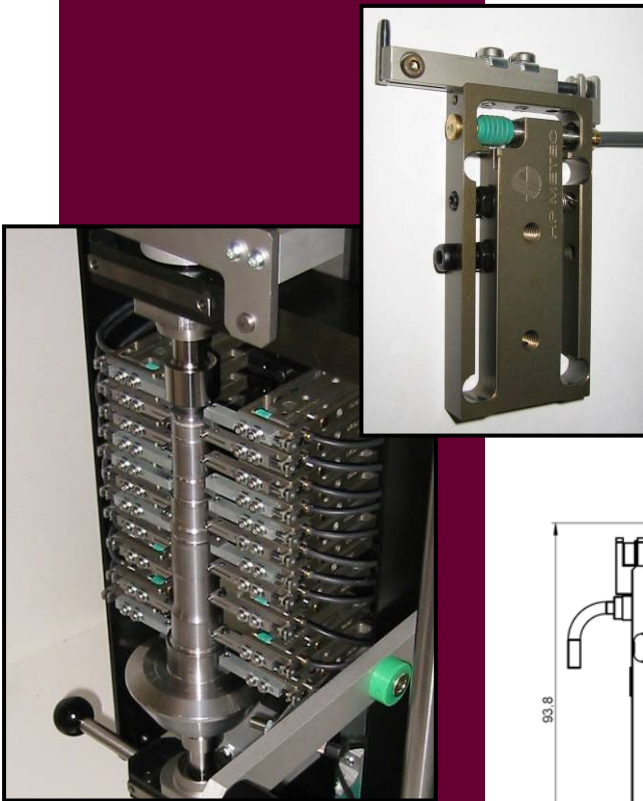
When quality becomes reality

The monobloc probe is designed to perform geometrical measurements where very high accuracy demands are made.

The electronic probe and the mechanical transfer are fully integrated into one system. This system has the peculiarity that there is no mechanical contact between the moving parts, this makes the probe very accurate and durable, specially in a production environment!

A complete range of standard tips are available.

Further information: www.hpmetec.com



Specifications:

- Measurement range: 1 mm
- Accuracy: $<0,2 \mu\text{m}$
- Linearity: $<1,5 \%$ of measurement range
- Tip Force: Adjustable 0,5 - 3N
- IP Rating: IP62
- Cable: 2m

HP Metec BV

Einsteinstraat 31
3902 HN Veenendaal
The Netherlands
Tel: +31 (0)318 551515
Fax: +31 (0)318 551727

www.hpmetec.com
info@hpmetec.com

References: volkswagen · bmw · siemens · schaeffler fag · daf · getrag · atlas copco · linde · vcst · océ · lsw · buvo · thule · ford · brabant alucast · vostermans · mahle · koni · zf · pittler